



**ECO  
LIGHT**  
INDUSTRIAL LED

**LED  
INDUSTRIAL  
FLOOD  
LIGHTS**

**LEDFL17-70AC**

## 70W LED INDUSTRIAL FLOOD LIGHTS

The LEDFL17 is a high quality professional looking light used for both indoor and outdoor applications. The slim profile is excellent for locations where roof heights are at a minimum, and traditional high bays will not fit. It's also popular as security and yard lighting for commercial and industrial buildings.

Packing in all the features of LED including instant start-up, cool running temperature, a generous heat sink and many mounting points. A unique feature with this model is the 24V DC option, making it a valuable addition to a truck fleet or farm machinery.



### FEATURES

LED Sources	70W
Input Voltage	AC (85~265V, 50~60Hz) DC (24V)
Power Supply Efficiency	>90%
Power Factor	>0.9
LED Lighting Efficiency	100lm/W
Colour Rendering Index	Ra>80
Colour Temperature	Cool White 5700K Warm White 3000K
IP Rating	IP65
Life Span	>50,000hrs
Eco-friendly	No UV, IR, Lead or Mercury
Materials	LM06 equivalent Aluminium, 316 stainless steel fasteners, High density 5mm toughened glass
Bracket	Galvanised Steel
Weight	7.39kg
Effective Light Angle	103°
Dimensions	368x285x93mm

### OPTIONS (available on request)

- Dimmable (0-10V) control, at max dim only draws 20W from supply.
- 316 Stainless Steel mounting bracket.
- Polycarbonate lens, no glass at all.
- Horizontal mounting bracket.
- Low bay mounting bracket.

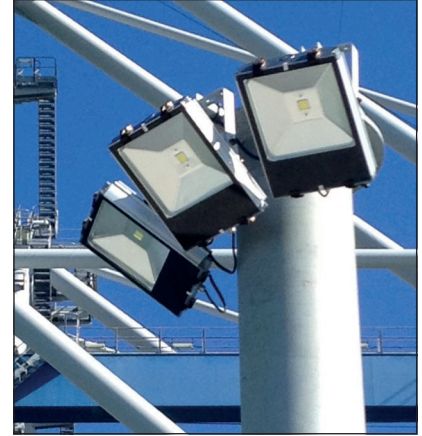
CAT NO.	Lumens	Power	Supply Voltage	Current
LEDFL17-70AC	7200	70W	85 ~ 265V AC	0.32A*
LEDFL17-70ACWW	7200	70W	85 ~ 265V AC	0.32A*
LEDFL17-70DC24	7200	70W	24V DC	3.16A
LEDFL17-70PC	7200	70W	85 ~ 265V AC	0.32A*
LEDFL17-70DIM	7200	70W	85 ~ 265V AC	0.32A*

\* AC Current rating at 230V AC; DC Current at 24V DC  
SDOC is available on our website

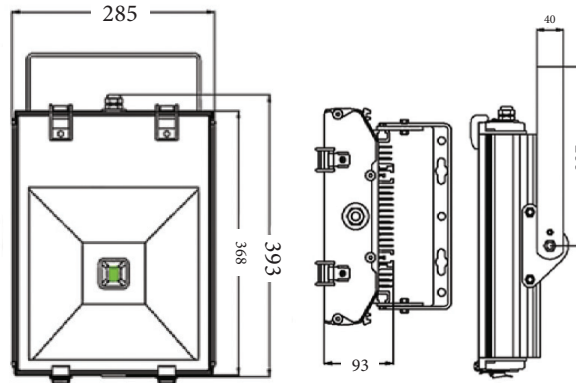
20 Neilpark Drive  
East Tamaki  
Auckland.  
NEW ZEALAND  
**phone: 64 9 272 5619**

 **ECO  
LIGHT**  
[www.ecolight.co.nz](http://www.ecolight.co.nz)

**PRODUCT IMAGES**

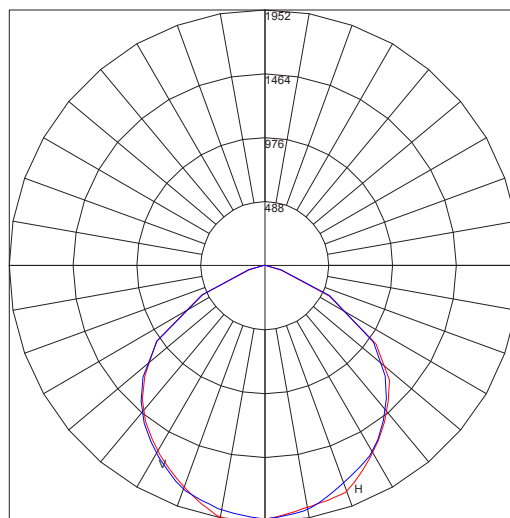


**DIMENSIONS**



**PHOTOMETRICS**

Light Distribution



Maximum Candela = 1952.015 Located At Horizontal Angle = 9, Vertical Angle = 0  
 H - Horizontal Axial Candela  
 V - Vertical Axial Candela

20 Neilpark Drive  
 East Tamaki  
 Auckland.  
 NEW ZEALAND  
**phone: 64 9 272 5619**